

NOAS
SWEDEN®



Wash basins
Schools and
Public environments
Made in Sweden



CORIAN® QUALITY NETWORK
INDUSTRIAL PARTNER

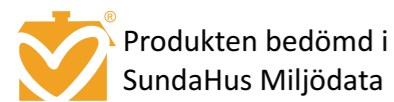
Washbasin 00

Series 00 is developed for public environments where hygiene, user friendliness and resistance to wear are the keywords. The products are manufactured in Corian®. Its soft and gentle impressions fit well into most environments, from pre-schools and schools to public toilets and laundry facilities.

There are several possibilities for adaptation.

Washbasin 00 is without back edge, 00B with back edge.

All models are customized for standard mixers and bottom valves. Number of holes for mixer and location by requests.



	TR1000GW-00	TR1300GW-00	TR1600GW-00
Width	1000 mm	1300 mm	1600 mm
Depth	510 mm		
Height (inc back ed.)	150 mm (230 mm, TRXX00B)		
Depth (Basin)	~135 mm		
Material	DuPont™ Corian® Glacier White		
Weight	~1,70g/cm ³		
Static load	150kg		
# Holes for mixers	2	2	3
# Holes for bot. valv	1	1	2

* Consoles are included. Mixers, bottom valves and water locks shown in the pictures are optional.
Holes for taps are standard. If another distribution or no holes at all is desired, it is optional.



Attribute

- *Easy to clean and maintain*
- *LGA certified for hygienic properties*
- *A non porous material with a soft and seamless surface*
- *Extremely durable, long life*
- *Can be easily renewed and repaired*
- *GREENGUARD Certified®*
- *High resistance to stains*
- *Round soft shapes, no sharp corners*



Washbasin 02

To order, not in stock. Series 02 is less space-intensive when the depth is 430 mm instead of 510 mm.

Series 02 is also suitable for pre-school activities for the smallest children when the mixer is closer to them.

Washbasin 02 is without back edge.

All models are customized for standard mixers and bottom valves.

	TR1000GW-02	TR1300GW-02	TR1600GW-02
Width	1000 mm	1300 mm	1600 mm
Depth	430 mm		
Height	150 mm		
Depth (Basin)	~135 mm		
Material	DuPont™ Corian® Glacier White		
Weight	~1,70g/cm3		
Static load	150kg		
# Holes for mixers	2	3	4
# Holes for bot. valv	1	1	2

* Consoles are included. Mixers, bottom valves and water locks as shown in pictures are optional.



Produkten bedömd i
SundaHus Miljödata

Attribute

- *Easy to clean and maintain*
- *LGA certified for hygienic properties*
- *A non porous material with a soft and seamless surface*
- *Extremely durable, long life*
- *Can be easily renewed and repaired*
- *GREENGUARD Certified®*
- *High resistance to stains*
- *Round soft shapes, no sharp corners*



TR1600GW-02



TR1300GW-02

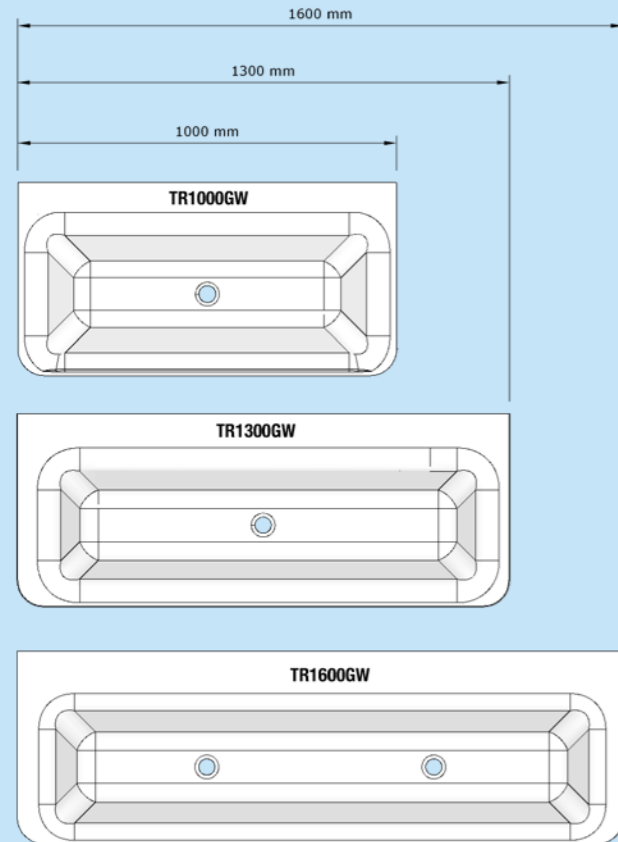


TR1000GW-02

Measures

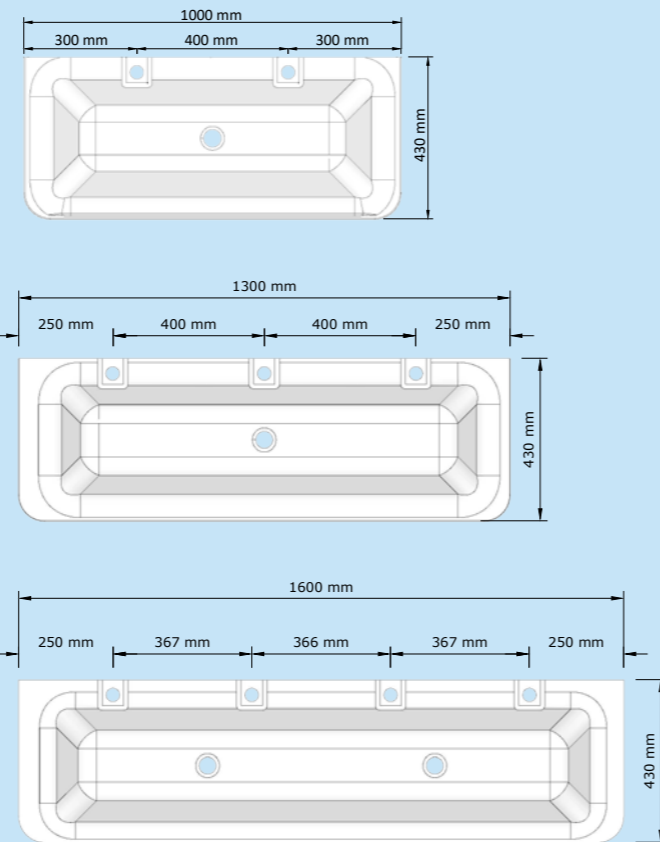
TRXXX-00

WIDTH

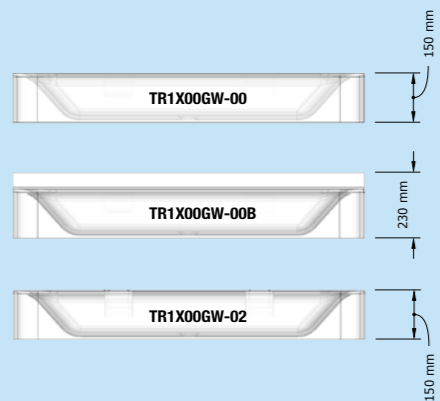


TRXXX-02

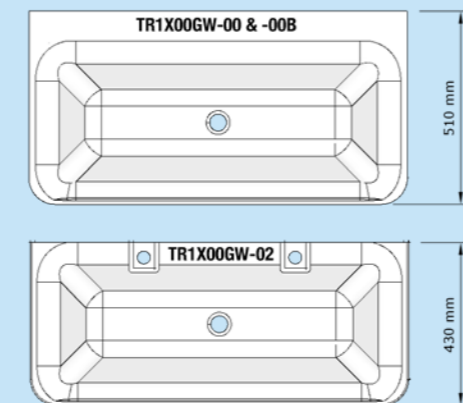
MEASUREMENT FOR TAPS



HEIGHT



DEPHT



Material

DuPont™ Corian®

Corian® solid surfaces work everywhere — it is the material of choice for architects and designers specializing in healthcare, food service, hospitality, office buildings and schools.

For school and preschool are important characteristics; Easy to clean and maintain / repair, hygiene and minimize risk of damage. The surfaces have an important function in creating safer and more rewarding environments.

The **nonporous** certified hygienic properties of DuPont™ Corian® solid surface material can help healthcare architects and designers create spaces that, with proper cleaning, fit the needs of their installations.

DuPont™ Corian® solid surface meets the high expectations of the most demanding school environments. With unlimited potential for surfaces in public spaces like schools and other public places, Corian® is:

Easy to clean and maintain. When properly cleaned, Corian® does not support the growth of mould and mildew.

LGA certified for hygienic properties (stability against bacteria and fungi according to European standard DIN EN ISO 846).

A nonporous surface with a smooth, seamless appearance.

Extremely durable, withstands tough shocks in traffic environments that would otherwise have damaged other materials, such as porcelain, laminate or stainless steel.

Easily renewed and repaired.

GRENGUARD Certified® as low VOC-emitting material

Stain resistant

We are a part of DuPont™ Corian® Quality Network giving end customers the assurance that products meet all the tough requirements set by DuPont.

All products are developed in close cooperation with school environment professionals and suppliers.

CORIAN® QUALITY NETWORK
INDUSTRIAL PARTNER

Head office in Tibro

Noas Sweden
Fabriksgatan 2
543 50 Tibro

Phone: +46 504-49 51 00

info@noassweden.se
www.noassweden.se

NOAS
S W E D E N