

NOAS
SWEDEN®



Wash Basin & Trough



CORIAN® QUALITY NETWORK
INDUSTRIAL PARTNER

Wash Basin & Trough- 510

Wash Basin & Trough-510 in Solid Surface Corian® with tap hole are durable and hygienic and offer the unique ability to renew the surface from damage by polishing out any scratches or wear and tear without removal of the unit. This unit is suitable for education establishments, such as schools, universities and preschools, restaurants, night-clubs and other commercial washrooms.

Supplied with tap holes drilled in 35 mm and bottomvalves in 40 mm. Wall brackets are included.

Taps and bottomvalve are not included and are shown for illustrative purposes only..

	TR1000GW-00	TR1300GW-00	TR1600GW-00
Width	1000 mm	1300 mm	1600 mm
Depth	510 mm		
Hight (inc back ed.)	150 mm (230 mm, TRXX00B)		
Depth (Basin)	~135 mm		
Material	DuPont™ Corian® Glacier White		
Weight	~1,70g/cm ³		
Static load	150kg		
# Holes for taps	2	2	3
# Holes for bot. valv	1	1	2



Produkten bedömd i
SundaHus Miljödata

Attribute

- *Easy to clean and maintain*
- *LGA certified for hygienic properties*
- *A non porous material with a soft and seamless surface*
- *Extremely durable, long life*
- *Can be easily renewed and repaired*
- *GREENGUARD Certified®*
- *High resistance to stains*
- *Round soft shapes, no sharp corners*



TR1600GW-510



TR1300GW-510B



TR1000GW-510

Wash Basin & Trough- 430

Wash Basin & Trough-510 in Solid Surface Corian® with tap hole are durable and hygienic and offer the unique ability to renew the surface from damage by polishing out any scratches or wear and tear without removal of the unit. This unit is suitable for younger pupils in pre-schools and schools.

Supplied with tap holes drilled in 35 mm and bottom-valves in 40 mm. Wall brackets are included.

Taps and bottomvalve are not included and are shown for illustrative purposes only.

	TR1000GW-02	TR1300GW-02	TR1600GW-02
Width	1000 mm	1300 mm	1600 mm
Depth	430 mm		
Height	150 mm		
Depth (Basin)	~135 mm		
Material	DuPont™ Corian® Glacier White		
Weight	~1,70g/cm ³		
Static load	150kg		
# Holes for taps	2	3	4
# Holes for bot. valv	1	1	2



Produkten bedömd i
SundaHus Miljödata

Attribute

- *Easy to clean and maintain*
- *LGA certified for hygienic properties*
- *A non porous material with a soft and seamless surface*
- *Extremely durable, long life*
- *Can be easily renewed and repaired*
- *GREENGUARD Certified®*
- *High resistance to stains*
- *Round soft shapes, no sharp corners*



TR1600GW-430



TR1300GW-430

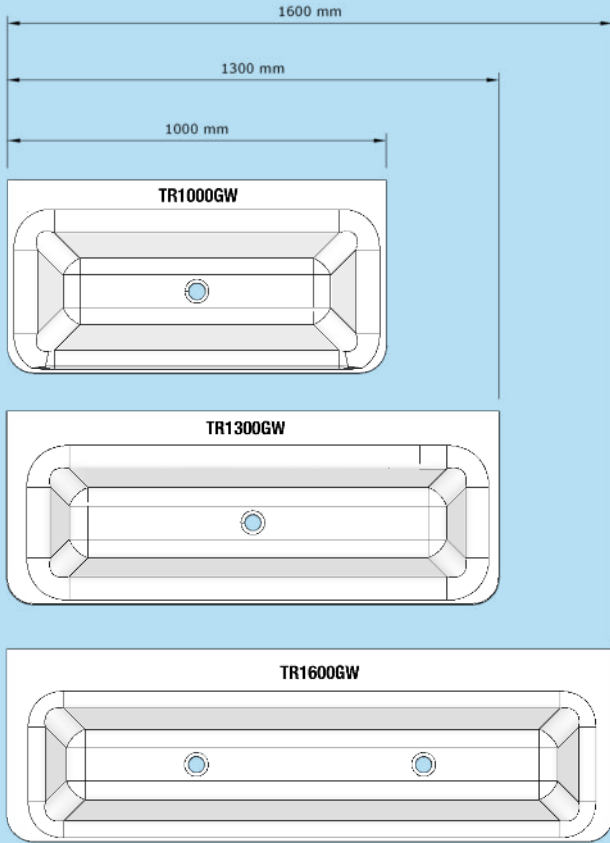


TR1000GW-430

Dimensions

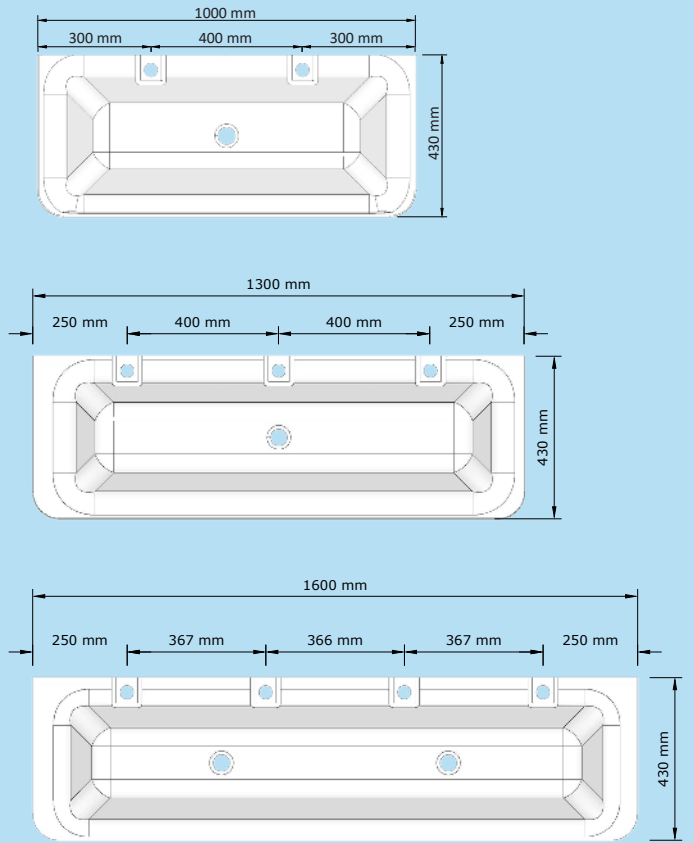
TRXXX-510

WIDTH

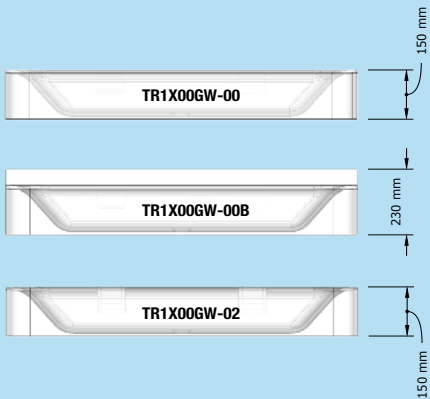


TRXXX-430

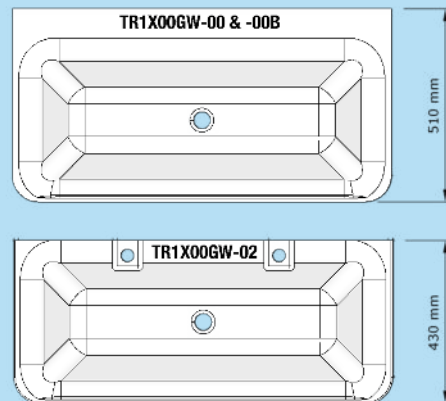
DIMENSIONS FOR TAPS



HEIGHT



DEPHT



Material

DuPont™ Corian®

DuPont™ Corian® works everywhere. The material that architects and designers choose who specialize in school, restaurant, public spaces , offices and healthcare.

DuPont™ Corian® is a solid non-porous, homogeneous surfacing material .Corian are durable and hygienic and offer the unique ability to renew the surface from damage by polishingout any scratches or wear and tear without removal of the unit.

DuPont™ Corian® solid surface meets the high expectations of the most demanding school environments. With unlimited potential for surfaces in public spaces like schools and other public places, Corian® is:

Easy to clean and maintain. When properly cleaned, Corian® does not support the growth of mould and mildew.

LGA certified for hygienic properties (stability against bacteria and fungi according to European standard DIN EN ISO 846).

A nonporous surface with a smooth, seamless appearance.

Extremely durable, withstands tough shocks in traffic environments that would otherwise have damaged other materials, such as porcelain, laminate or stainless steel.

Easily renewed and repaired.

GREENGUARD Certified® as low VOC-emitting material

Stain resistant

We are a part of DuPont™ Corian® Quality Network giving end customers the assurance that products meets all the tough requirements set by DuPont.

All products are developed in close cooperation with school environment professionals and suppliers.

CORIAN® QUALITY NETWORK
INDUSTRIAL PARTNER

Head office in Tibro

Noas Sweden
Fabriksgatan 2
543 50 Tibro

Phone: +46 504-49 51 00

info@noassweden.se
www.noassweden.se

NOAS
S W E D E N